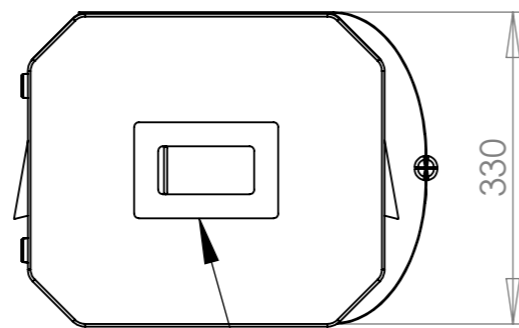
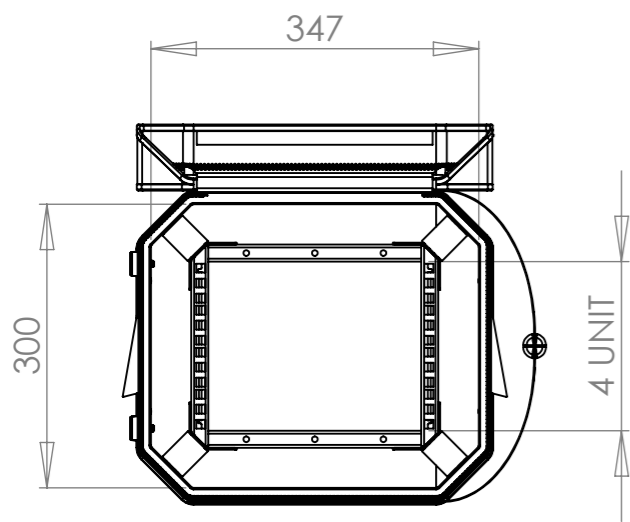
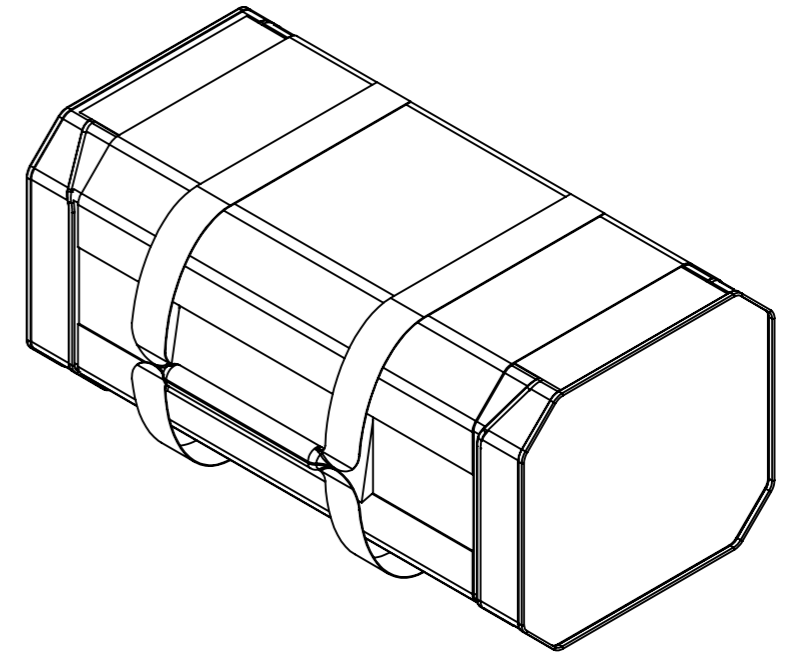
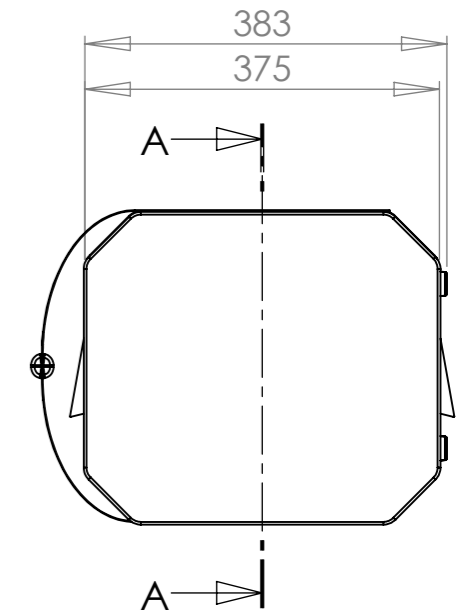
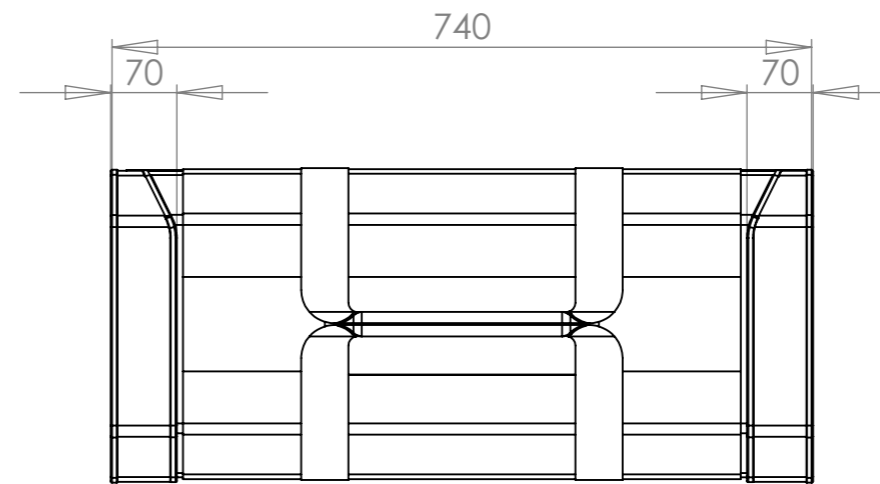


SECTION A-A
SCALE 1 : 8



LABEL HOLDER ON FRONT LID.



Nato Stock No (NSN)			General Tolerance +/- (1%+1mm)			Title		Drg. No.		W/O No.
N/A			External Dimensions (mm)			Satrack SR0461HRV2		SR0461HRV2		000000
Options Selected	Qty	Part #	Height	Width	Depth	Drawn By	Date	Sheet No.	Issue No.	Qty
AGM Breather Valve	00	RRAPRV	330	375	740	MW	28/09/2010	1 Of 1	02	01
			Rack Size (U)		04	Dimensions In Millimeters		Third Angle Projection		
			Frame Depth (mm)		610	Do Not Scale				

CP Cases Ltd.

Worton Hall Industrial Estate, Worton Road,
Isleworth, Middlesex, TW7 6ER, UK.
Tel: +44 (0) 20 8568 1881 Fax: +44 (0) 20 8568 1141
Email: info@cpcases.com Website: www.cpcases.com

Copyright CP Cases Limited.
This drawing is the property of CP Cases Limited & the information on it is confidential & it is not to be used for any other purpose without the prior written consent of CP Cases Limited.