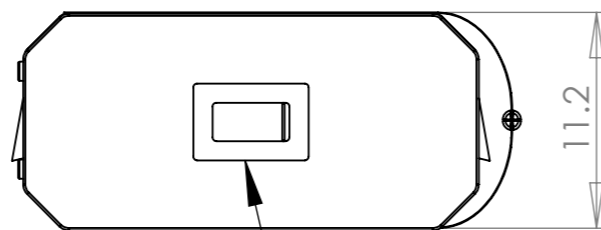
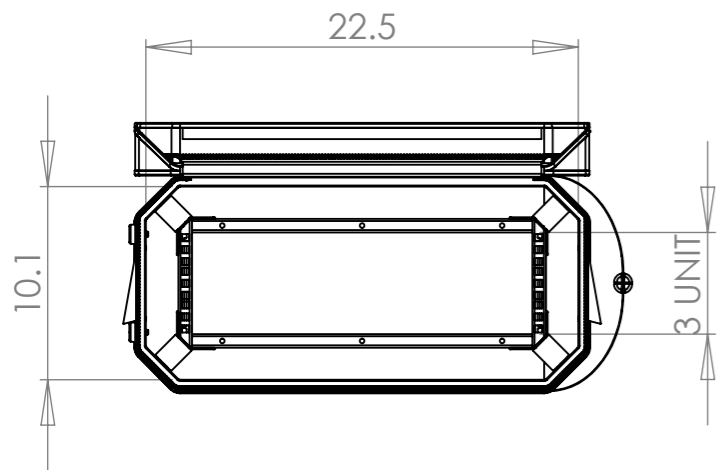
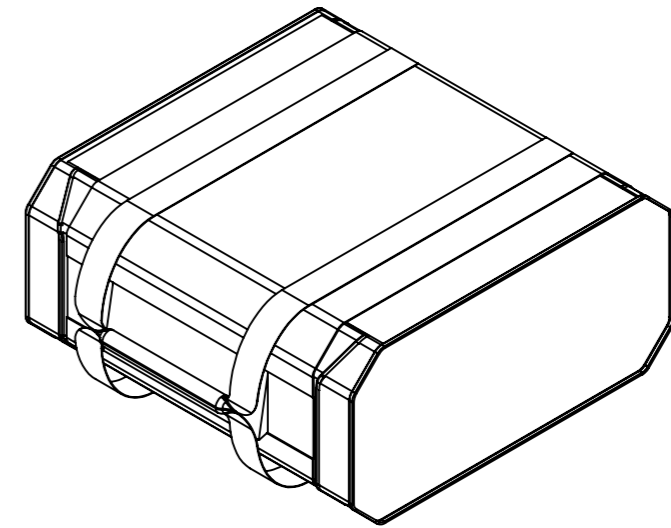
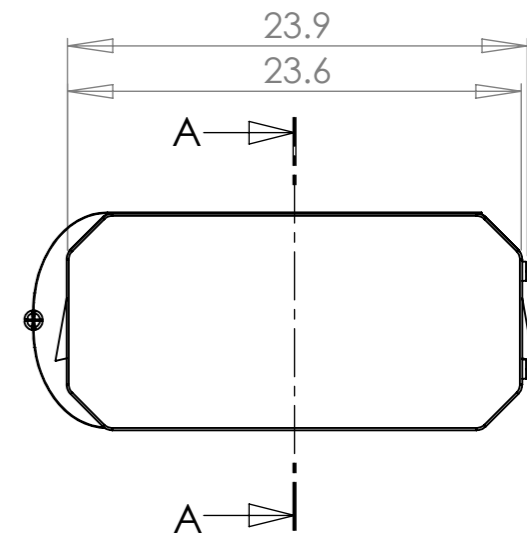
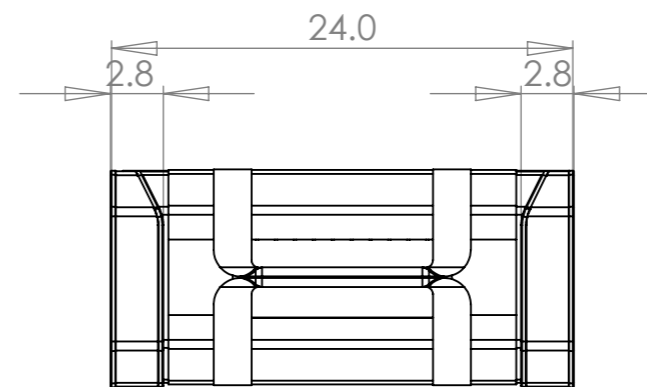


SECTION A-A



LABEL HOLDER ON FRONT LID.



Nato Stock No (NSN)		General Tolerance +/- (1%+1/16")			Title			Drg. No.
N/A		External Dimensions (Inches)			Satrack SR0319V2			SR0319V2
Options Available	Part #	Height	Width	Depth	Drawn By	Date	Sheet No.	Issue No.
		11.2	23.6	24.0	MW	28/09/2010	1 Of 1	02
		Rack Size (U)		03	Dimensions In Inches		Third Angle Projection	
		Frame Depth (Inches)		18.9	Do Not Scale			

CP Cases Inc.

Tel: (410) 352-9450
 Email: sales.usa@cpcases.com
 Website: www.cpcases.com

Copyright CP Cases Inc.
 This drawing is the property of CP Cases Inc & the information on it is confidential & it is not to be used for any other purpose without the prior written consent of CP Cases Inc.