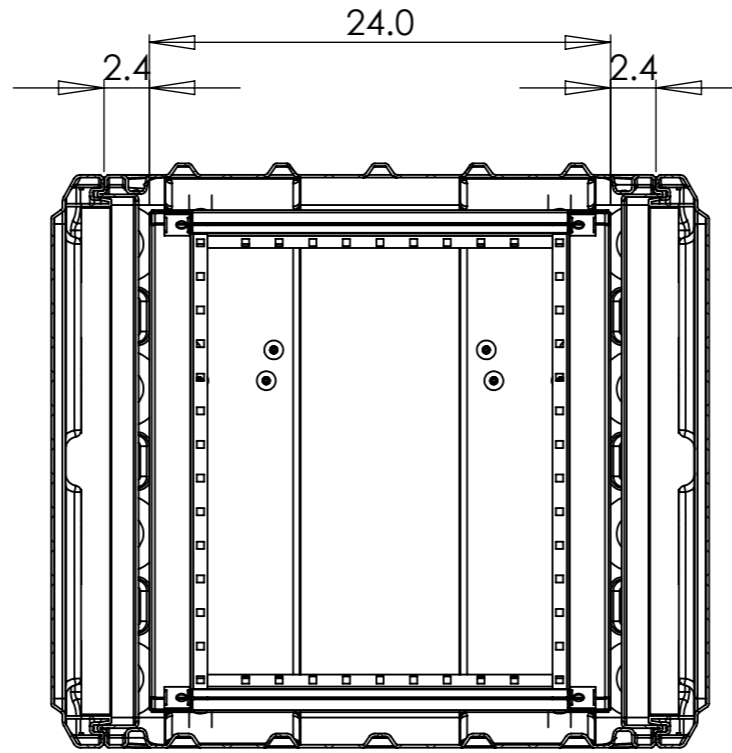
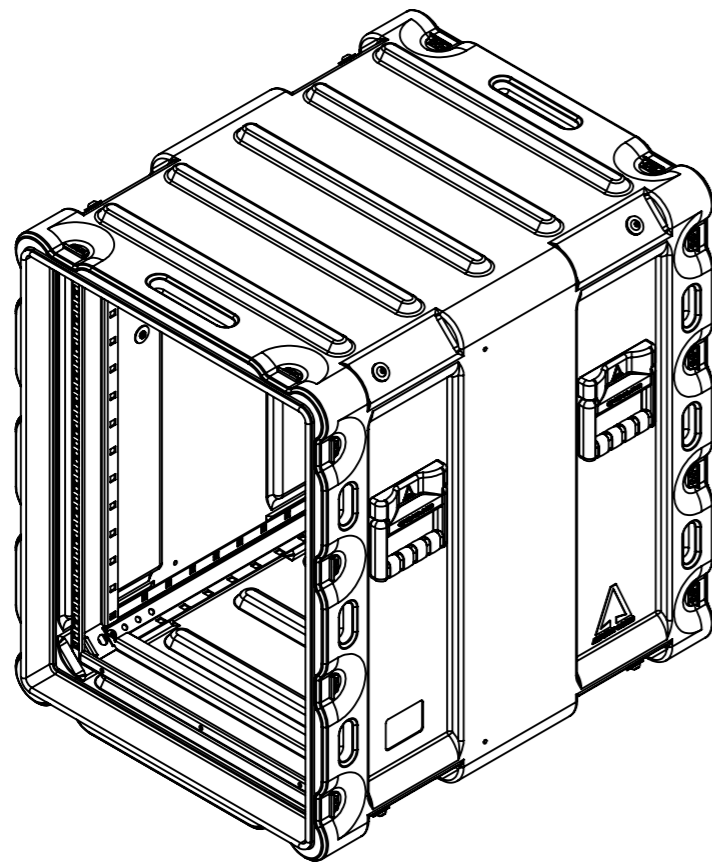
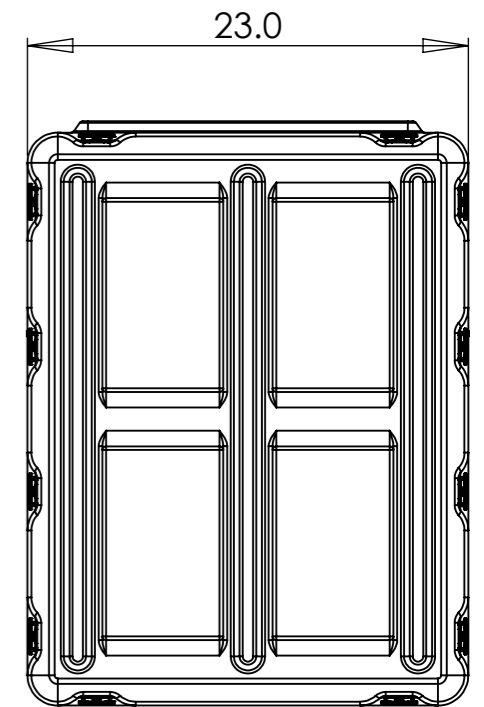
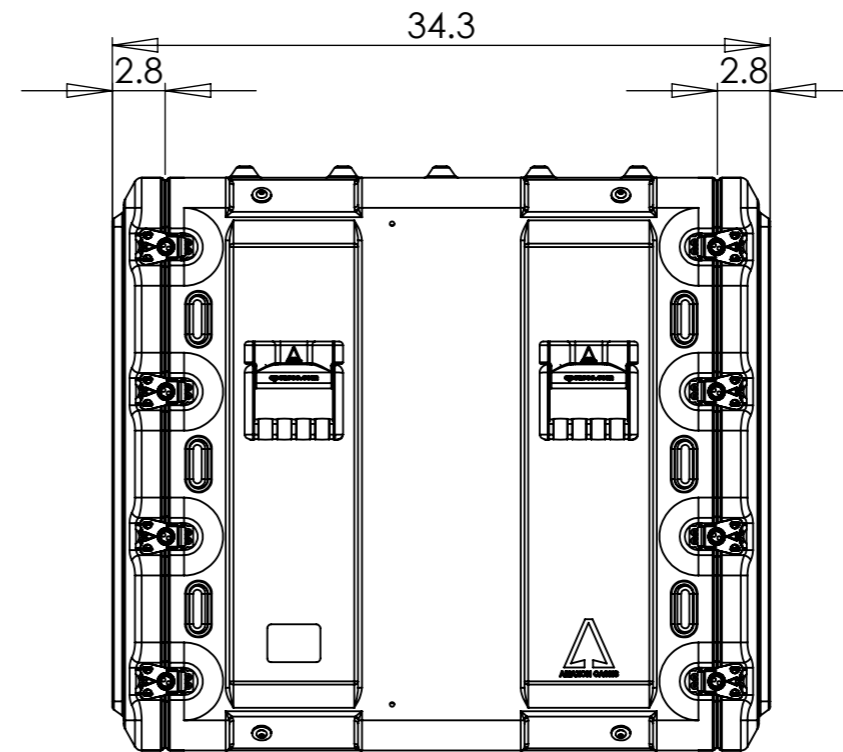
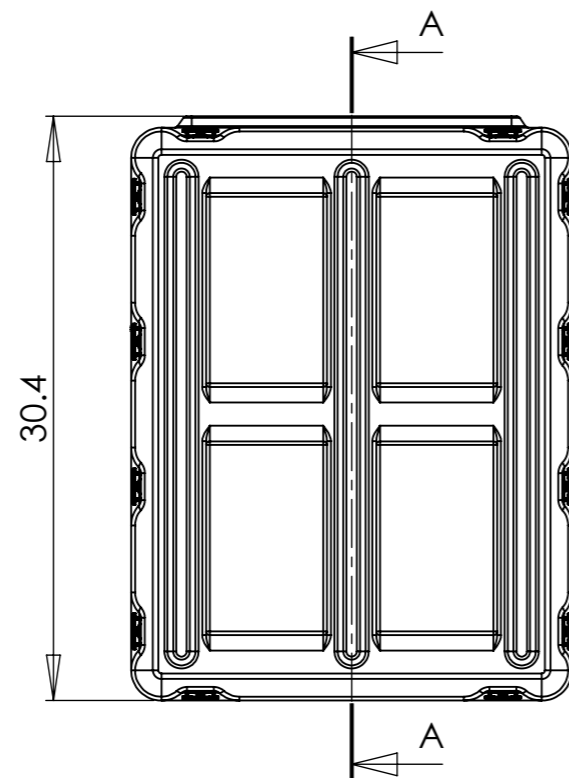
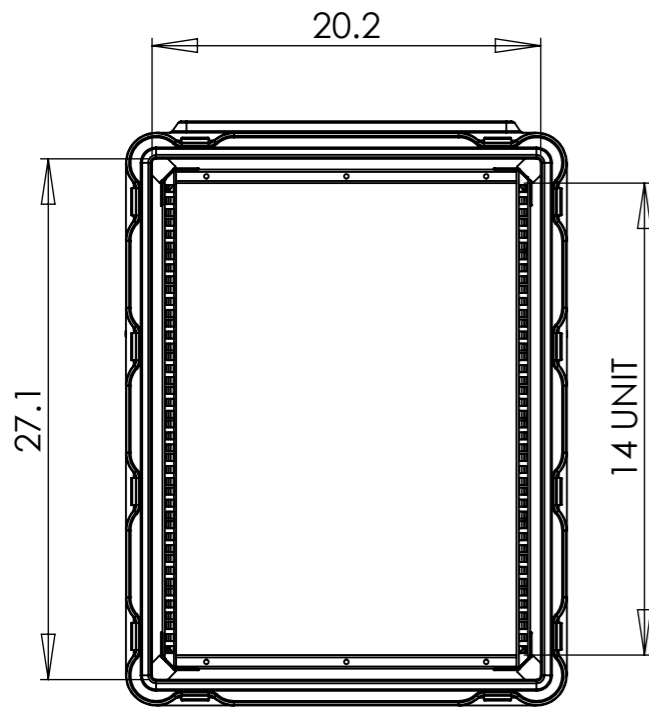
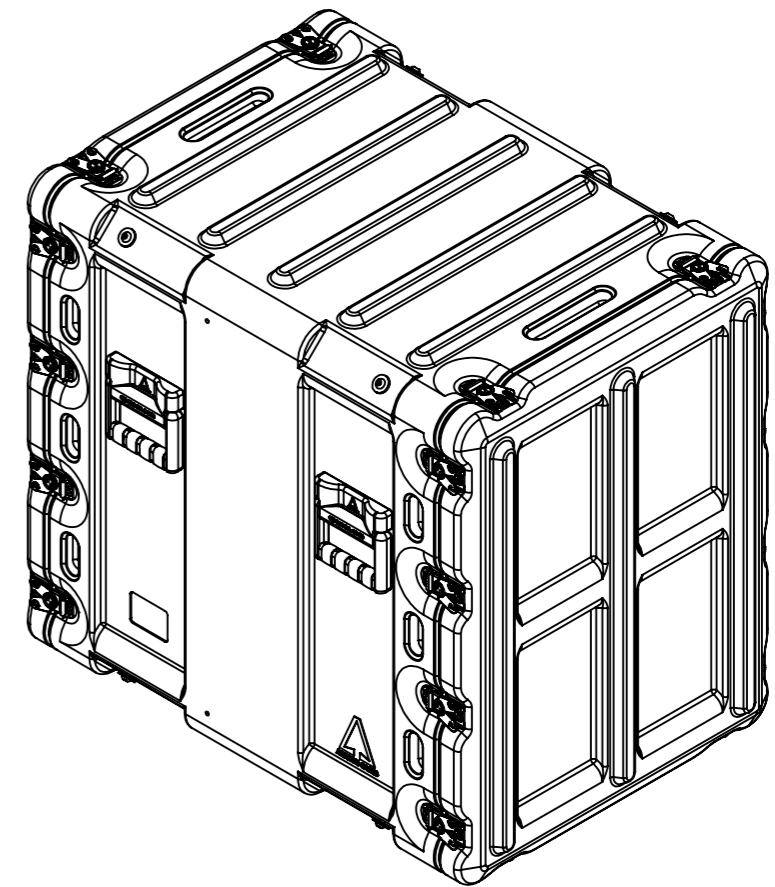


Revision Table			
Revision	Description	Date	Approved



SECTION A-A



<b>Nato Stock No (NSN)</b>				<b>Moulding Tolerance +/- (1%+1/16")</b>			<b>Title</b>			<b>Drg. No.</b>	
N/A				<b>External Dimensions (Inches)</b>			Amazon Rack AR1424-0303			AR1424-0303	
<b>Options Available</b>	<b>Option Selected</b>	<b>Qty</b>	<b>Part #</b>	<b>Height</b>	<b>Width</b>	<b>Depth</b>	<b>Drawn By</b>	<b>Date</b>	<b>Sheet No.</b>	<b>Issue No.</b>	
				30.4	23.0	34.3	MW	07/12/2011	1 Of 1	01	
				<b>Rack Size (U)</b>		14	<b>Dimensions In Inches</b>			<b>Third Angle Projection</b>	
				<b>Frame Depth (Inches)</b>		24.0	<b>Do Not Scale</b>				

**CP Cases Inc.**

Tel: (410) 352-9450  
 Email: sales.usa@cpcases.com  
 Website: www.cpcases.com

Copyright CP Cases Inc.  
 This drawing is the property of CP Cases Inc & the information on it is confidential & it is not to be used for any other purpose without the prior written consent of CP Cases Inc.