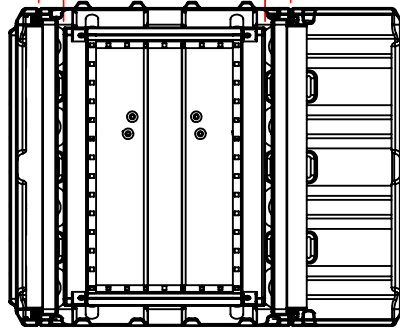


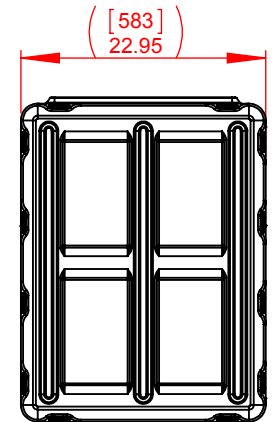
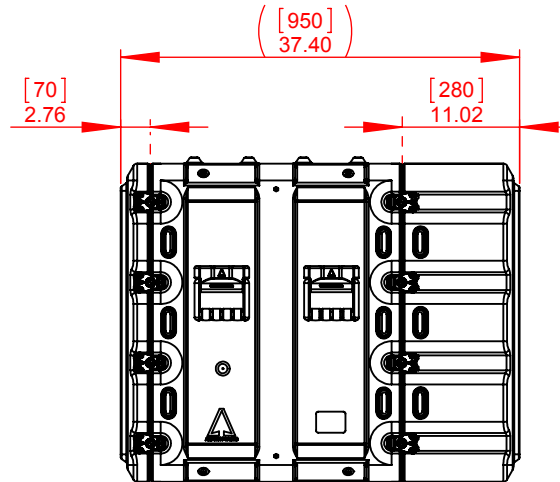
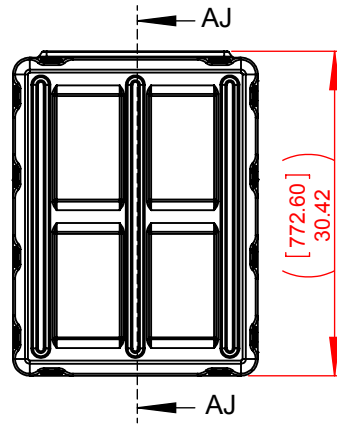
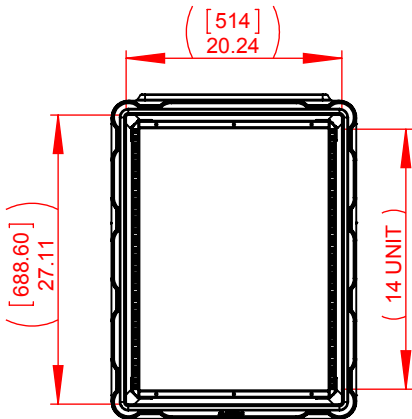
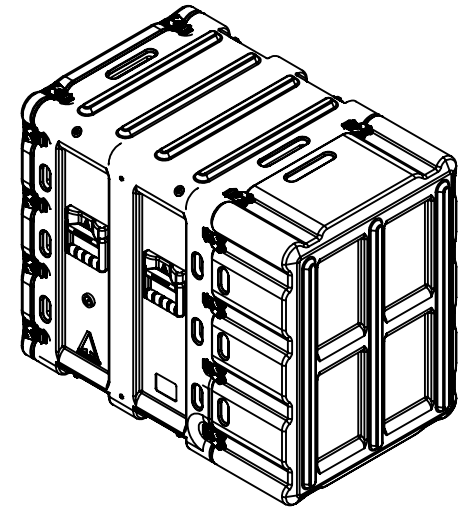
( [480] )  
18.90

( [59.22] )  
2.33

( [60.78] )  
2.39



SECTION AJ-AJ  
SCALE 1 : 18



**PROPRIETARY AND CONFIDENTIAL**

THE INFORMATION CONTAINED IN THIS DRAWING IS THE SOLE PROPERTY OF CP CASES INC. ANY REPRODUCTION IN PART OR AS A WHOLE WITHOUT THE WRITTEN PERMISSION OF CP CASES INC IS PROHIBITED.

UNLESS OTHERWISE SPECIFIED DIMENSIONS ARE IN INCHES TOLERANCES: 1% + 1/16" FRACTIONAL ± ANGULAR: MACH ± BEND ± TWO PLACE DECIMAL ± THREE PLACE DECIMAL ±		NAME	DATE	CP Cases Inc	
MATERIAL	FINISH	DRAWN	T.GREENBANK		
		CHECKED			TITLE
		ENG APPR.			AMAZON RACK AR1419-0311
		MFG APPR.			
		Q.A.			
		CONTAINER REFERENCE		SIZE	DWG. NO.
		AR1419-0311		A	SC-9571-2
		Cage Code: 3AG65		SCALE:1:20	WEIGHT:
					REV. A
					SHEET 1 OF 1