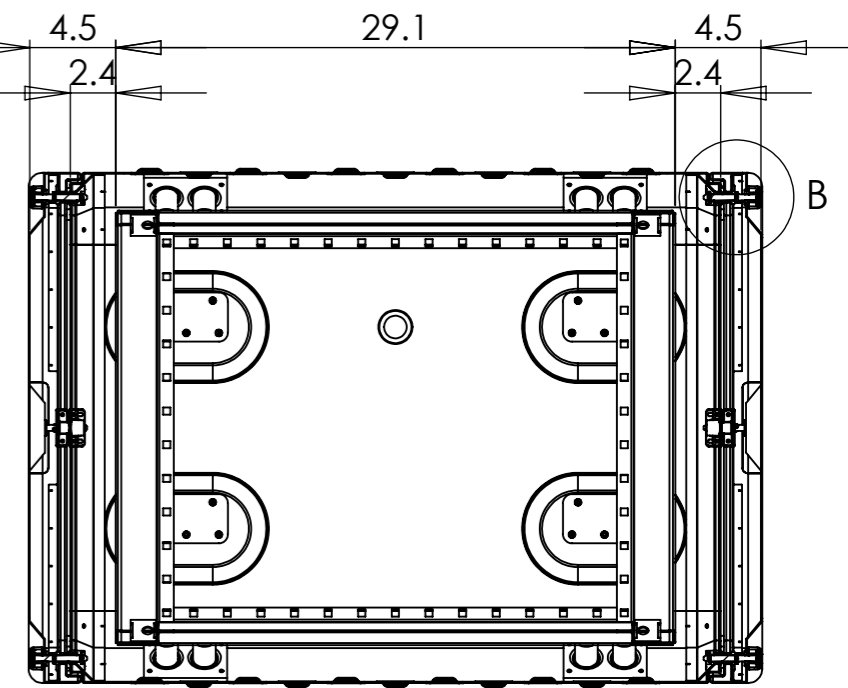
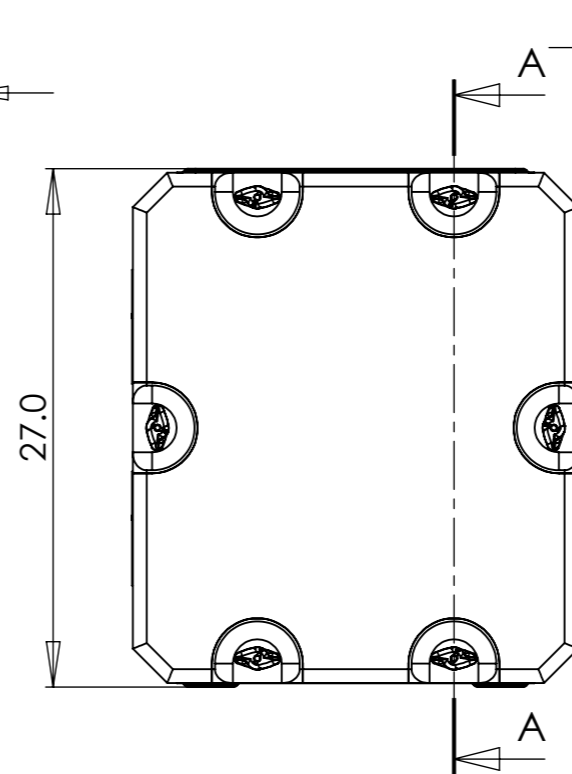
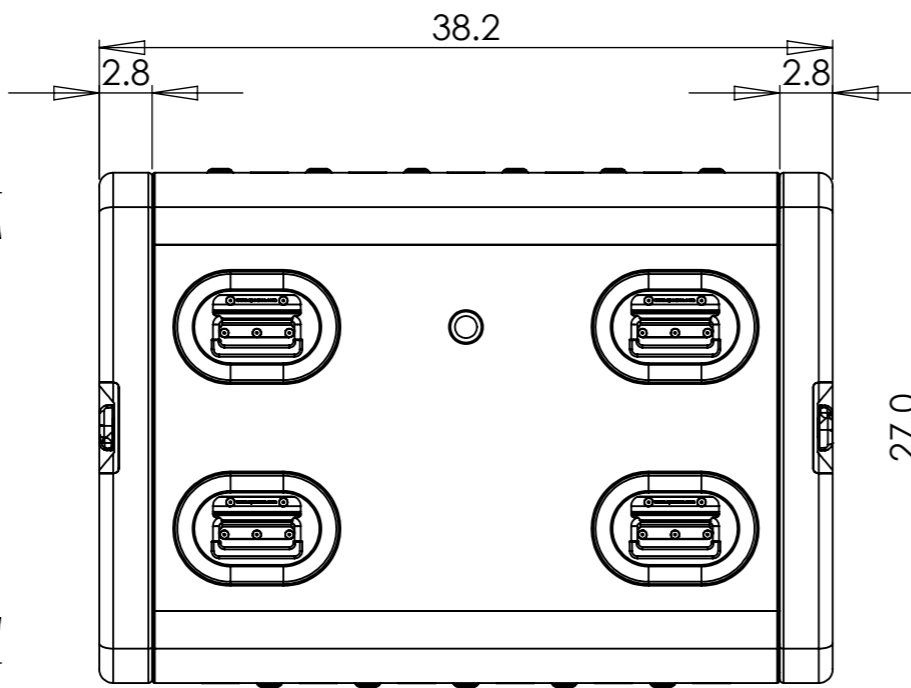
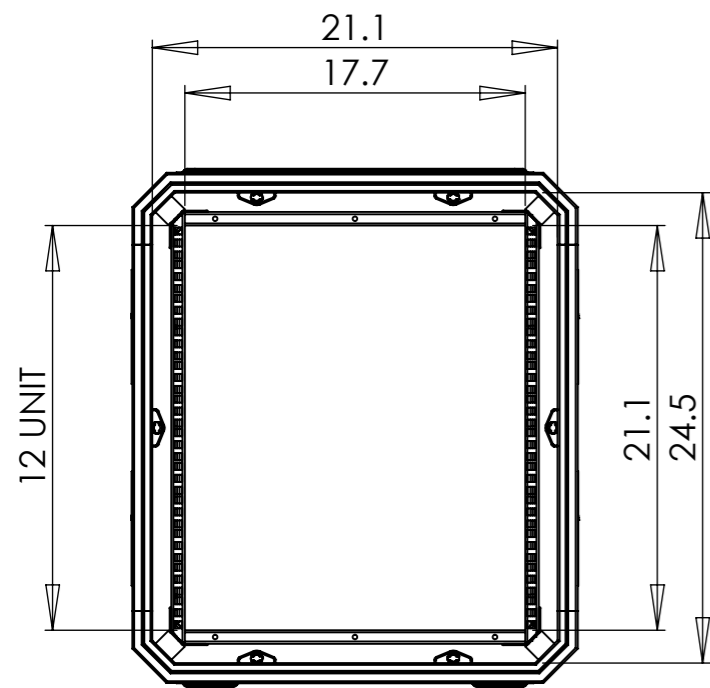


DETAIL B
SCALE 1 : 2



SECTION A-A

Nato Stock No (NSN)				Moulding Tolerance +/- (1%+1/16")			Title			Drg. No.	
N/A				External Dimensions (Inches)			E-Rack RR1229-0303			RR1229-0303	
Options Available	Option Selected	Qty	Part #	Height	Width	Depth	Drawn By	Date	Sheet No.	Issue No.	
				27.0	38.2	23.2	MW	22/09/2010	1 Of 1	02	
Rack Size (U)						12		Dimensions In Inches		Third Angle Projection	
Frame Depth (Inches)						29.1		Do Not Scale			

CP Cases Inc.

450 Tapscott Road, Unit #3, Toronto,
Ontario, Canada, M1B 1Y4.
Tel: (416) 438 8803 Toll-free: 1-800-352-7956
Email: infocanada@cpcases.com Website: www.cpcases.com

Copyright CP Cases Inc.
This drawing is the property of CP Cases Inc & the information on it is confidential & it is not to be used for any other purpose without the prior written consent of CP Cases Inc.