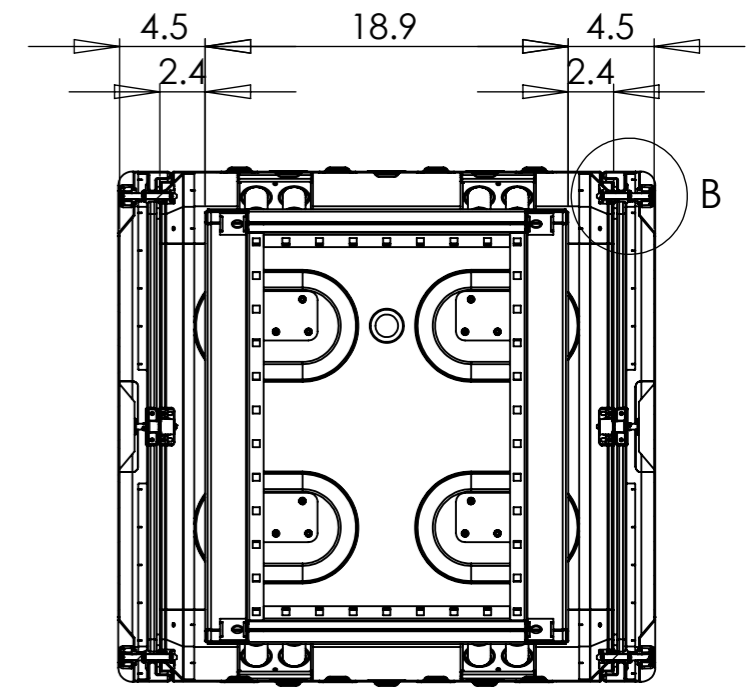
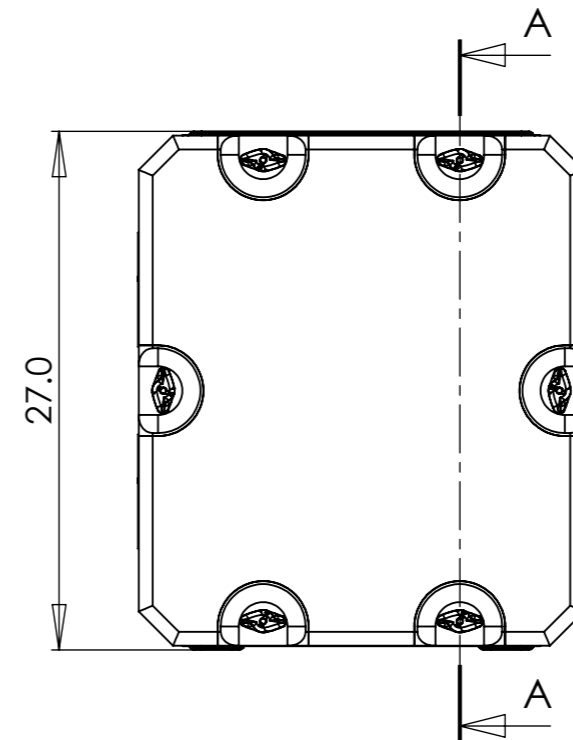
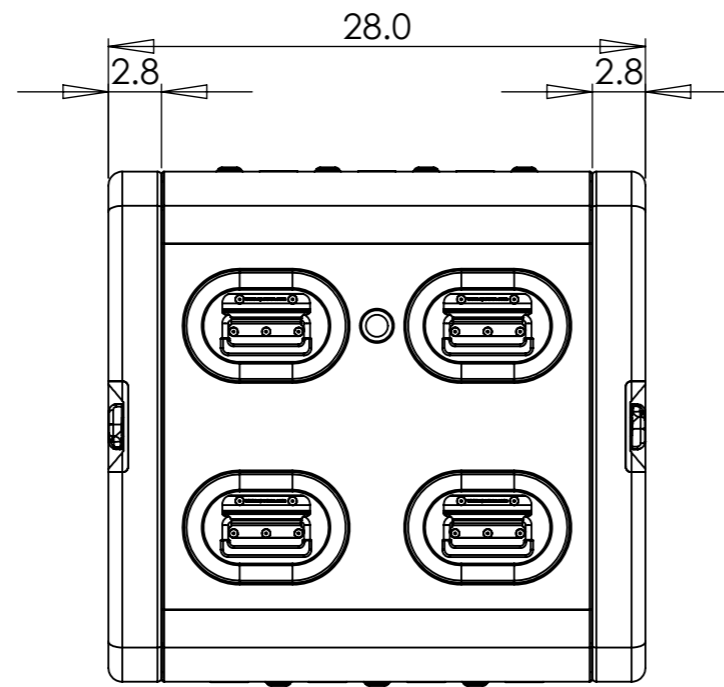
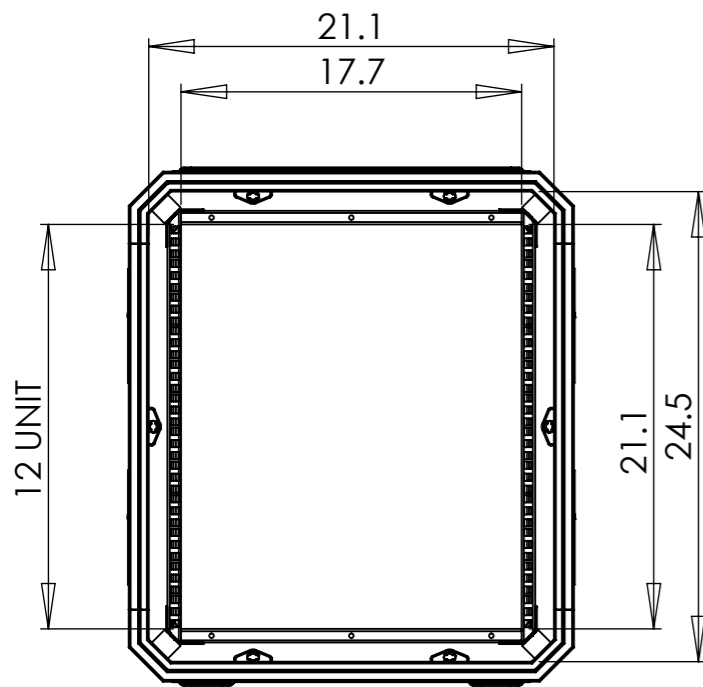


DETAIL B
SCALE 1 : 2



SECTION A-A

Nato Stock No (NSN) 8145-99-979-7900				Moulding Tolerance +/- (1%+1/16")			Title E-Rack RR1219-0303			Drg. No. RR1219-0303	
Options Available	Option Selected	Qty	Part #	Height 27.0	Width 23.2	Depth 28.0	Drawn By MW	Date 22/09/2010	Sheet No. 1 Of 1	Issue No. 02	
				Rack Size (U)		12	Dimensions In Inches		Third Angle Projection		
				Frame Depth (Inches)		18.9	Do Not Scale				

CP Cases Inc.

Tel: (410) 352-9450
Email: sales.usa@cpcases.com
Website: www.cpcases.com

Copyright CP Cases Inc.
This drawing is the property of CP Cases Inc & the information on it is confidential & it is not to be used for any other purpose without the prior written consent of CP Cases Inc.