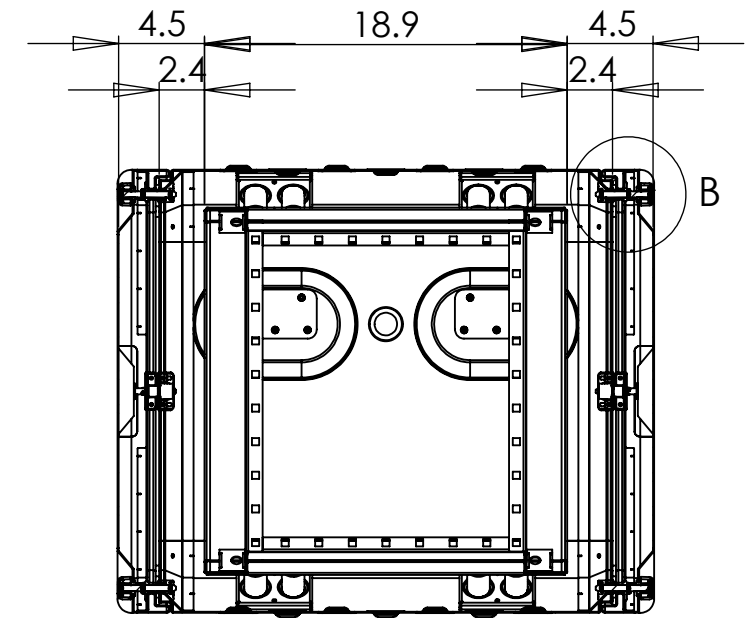
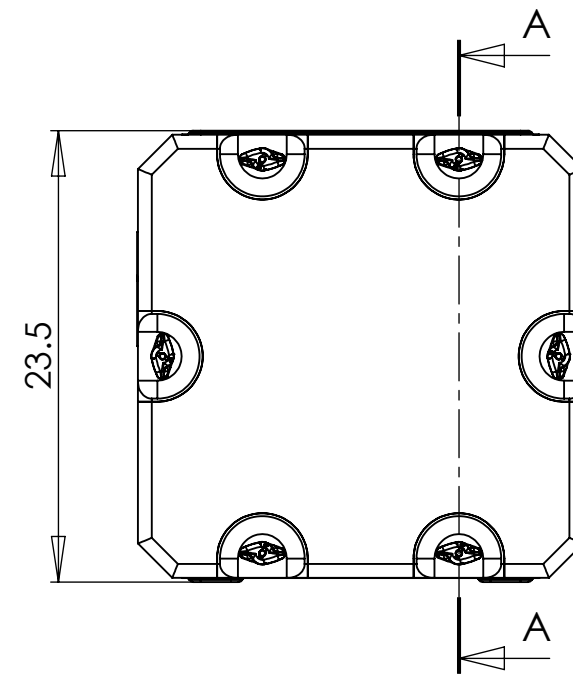
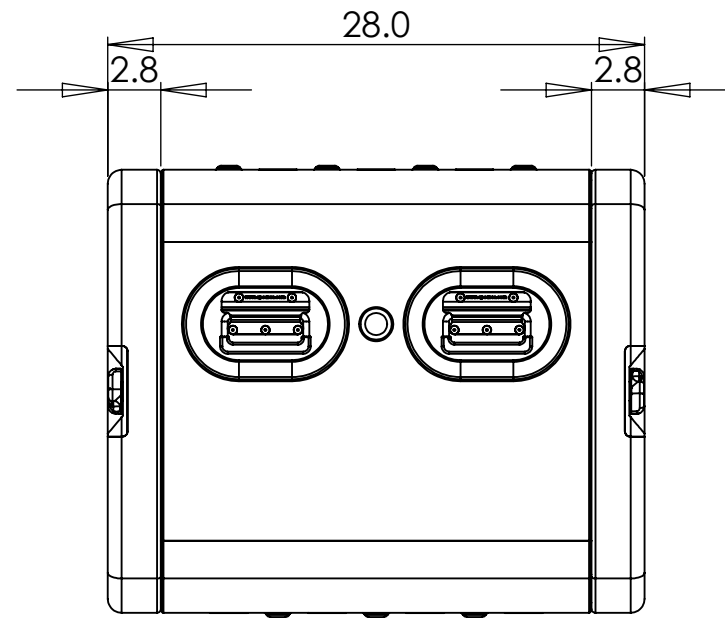
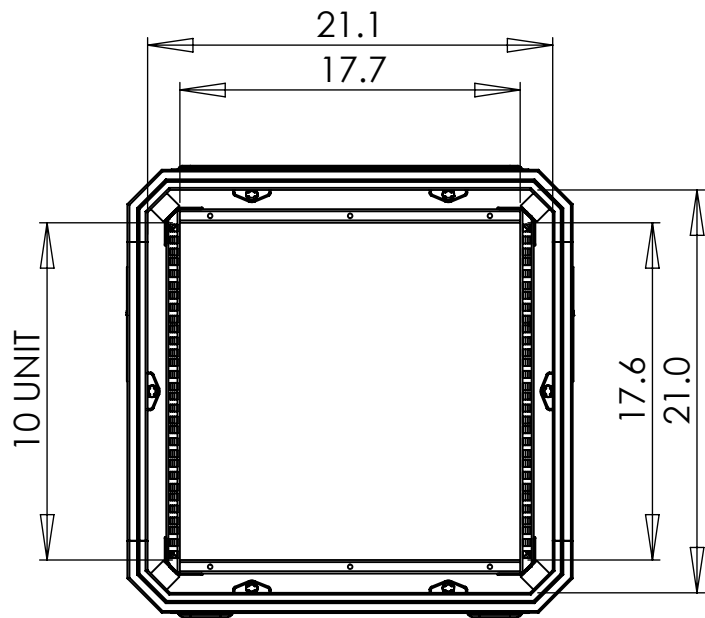


DETAIL B
SCALE 1 : 2



SECTION A-A

Nato Stock No (NSN) 8145-99-989-1234			Moulding Tolerance +/- (1%+1/16")			Title E-Rack RR1019-0303			Drg. No. RR1019-0303	
Options Available	Option Selected	Qty	Part #	Height 23.5	Width 23.2	Depth 28.0	Drawn By MW	Date 22/09/2010	Sheet No. 1 Of 1	Issue No. 02
				Rack Size (U) 10		Depth 18.9	Dimensions In Inches		Third Angle Projection	
				Frame Depth (Inches)			Do Not Scale			

CP Cases Inc.

450 Tapscott Road, Unit #3, Toronto,
Ontario, Canada, M1B 1Y4.
Tel: (416) 438 8803 Toll-free: 1-800-352-7956
Email: infocanada@cpcases.com Website: www.cpcases.com

Copyright CP Cases Inc.
This drawing is the property of CP Cases Inc & the information on it is confidential & it is not to be used for any other purpose without the prior written consent of CP Cases Inc.