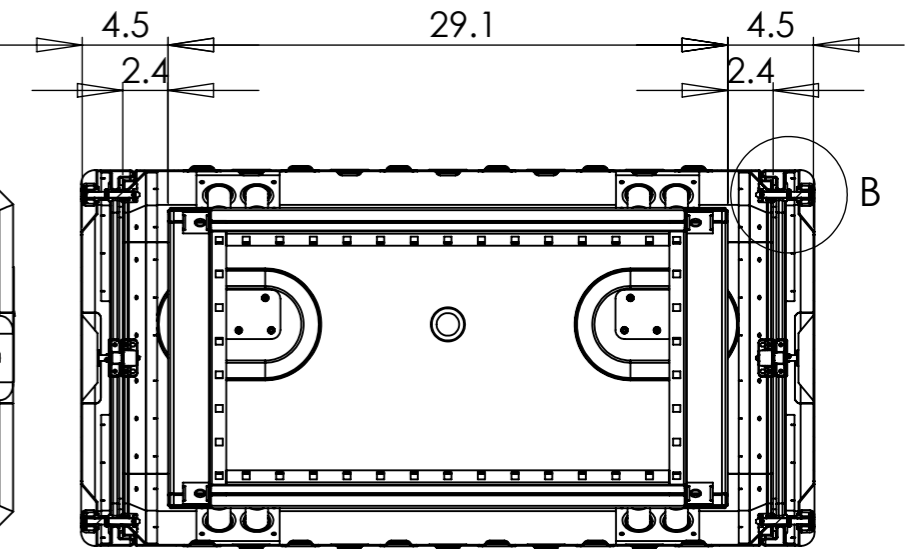
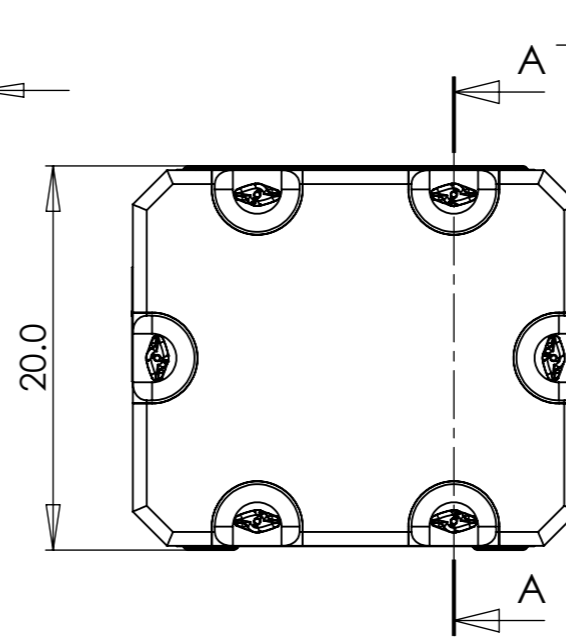
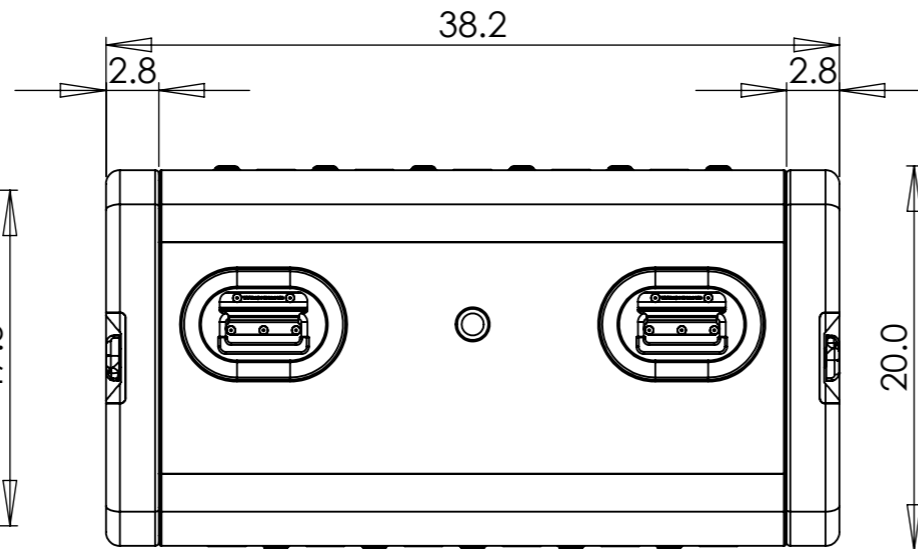
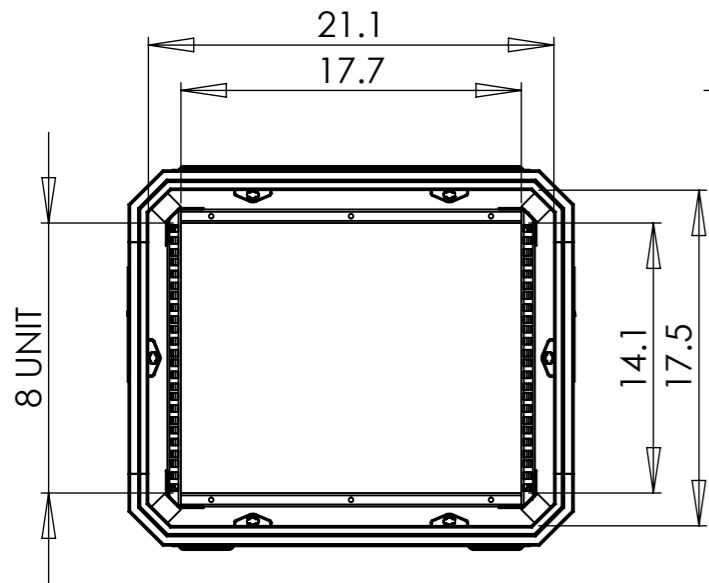


DETAIL B  
SCALE 1 : 2



SECTION A-A

<b>Nato Stock No (NSN)</b>				<b>Moulding Tolerance +/- (1%+1/16")</b>			<b>Title</b>			<b>Drg. No.</b>	
N/A				<b>External Dimensions (Inches)</b>			E-Rack RR0829-0303			RR0829-0303	
<b>Options Available</b>	<b>Option Selected</b>	<b>Qty</b>	<b>Part #</b>	<b>Height</b>	<b>Width</b>	<b>Depth</b>	<b>Drawn By</b>	<b>Date</b>	<b>Sheet No.</b>	<b>Issue No.</b>	
				20.0	23.2	38.2	MW	22/09/2010	1 Of 1	02	
				<b>Rack Size (U)</b>			<b>Dimensions In Inches</b>			<b>Third Angle Projection</b>	
				08			<b>Do Not Scale</b>				
				<b>Frame Depth (Inches)</b>			29.1				

**CP Cases Inc.**

Tel: (410) 352-9450  
Email: sales.usa@cpcases.com  
Website: www.cpcases.com

Copyright CP Cases Inc.  
This drawing is the property of CP Cases Inc & the information on it is confidential & it is not to be used for any other purpose without the prior written consent of CP Cases Inc.