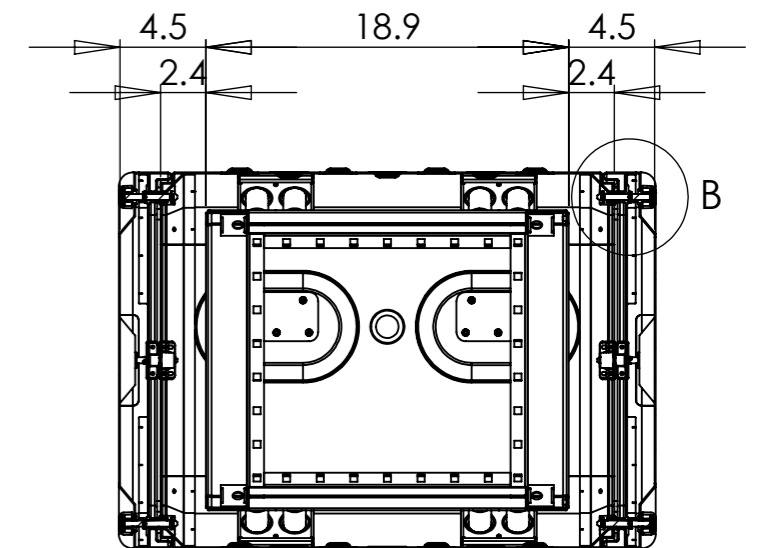
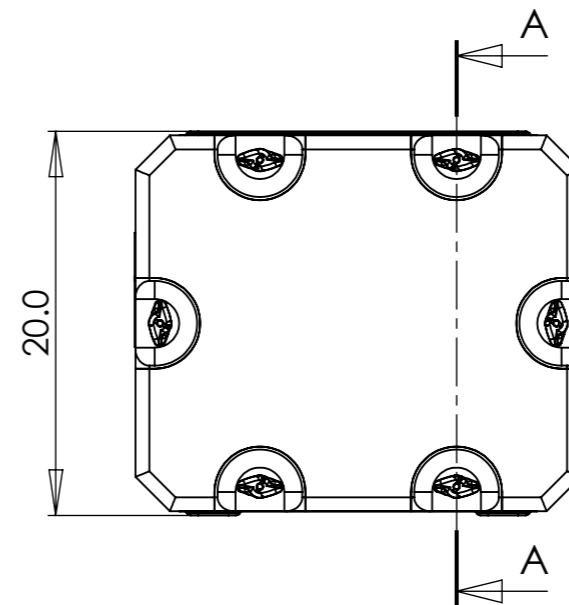
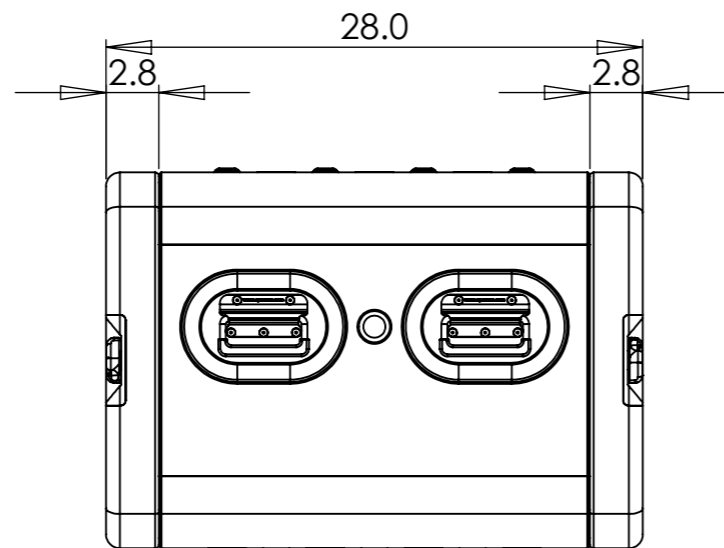
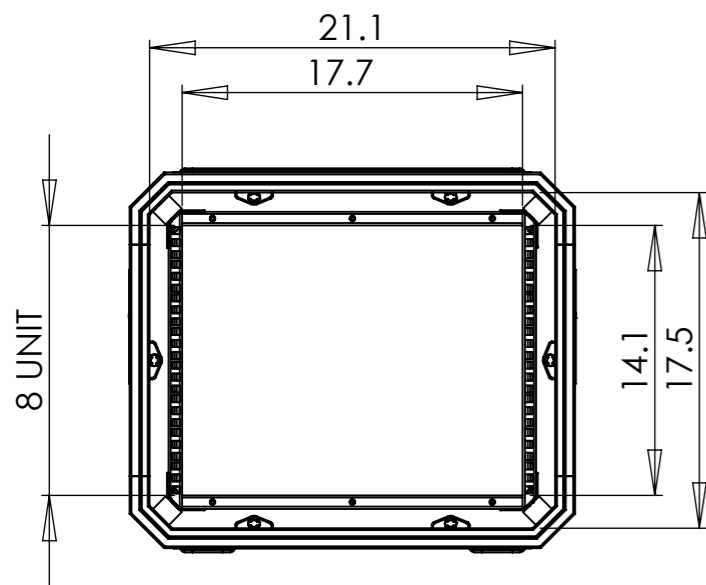


DETAIL B
SCALE 1 : 2



SECTION A-A

| | | | | | | | | | | | |
|----------------------------|------------------------|------------|---------------|--|--------------|--------------|-----------------------------|-------------|-------------------------------|------------------|--|
| Nato Stock No (NSN) | | | | Moulding Tolerance +/- (1%+1/16") | | | Title | | | Drg. No. | |
| 8145-99-310-0339 | | | | External Dimensions (Inches) | | | E-Rack RR0819-0303 | | | RR0819-0303 | |
| Options Available | Option Selected | Qty | Part # | Height | Width | Depth | Drawn By | Date | Sheet No. | Issue No. | |
| | | | | 20.0 | 23.2 | 28.0 | MW | 22/09/2010 | 1 Of 1 | 02 | |
| | | | | Rack Size (U) | | 08 | Dimensions In Inches | | Third Angle Projection | | |
| | | | | Frame Depth (Inches) | | 18.9 | Do Not Scale | | | | |

CP Cases Inc.

450 Tapscott Road, Unit #3, Toronto,
Ontario, Canada, M1B 1Y4.
Tel: (416) 438 8803 Toll-free: 1-800-352-7956
Email: infocanada@cpcases.com Website: www.cpcases.com

Copyright CP Cases Inc.
This drawing is the property of CP Cases Inc & the information on it is confidential & it is not to be used for any other purpose without the prior written consent of CP Cases Inc.