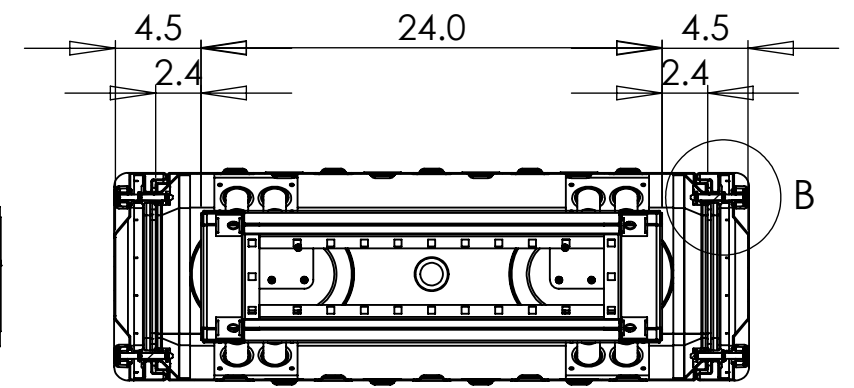
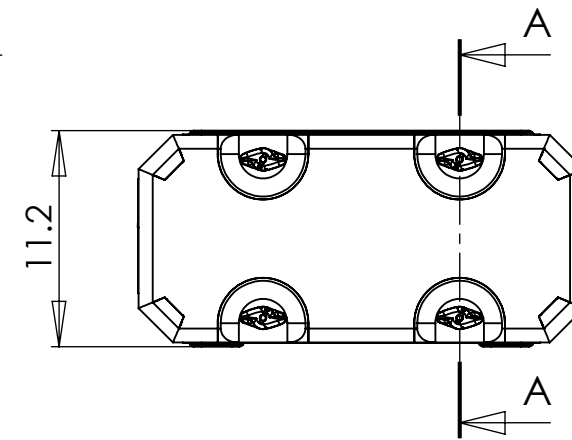
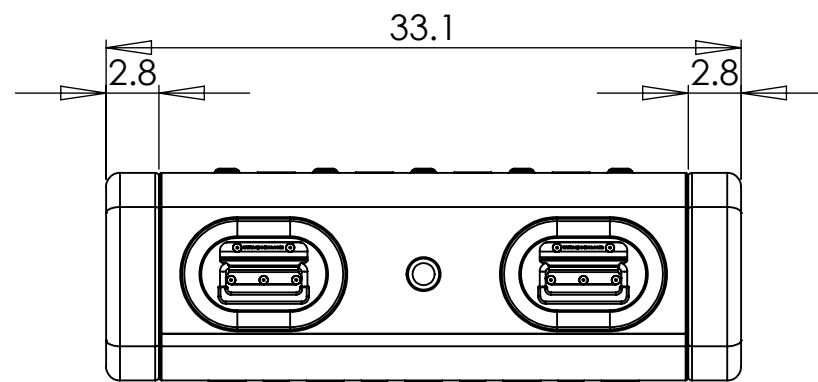
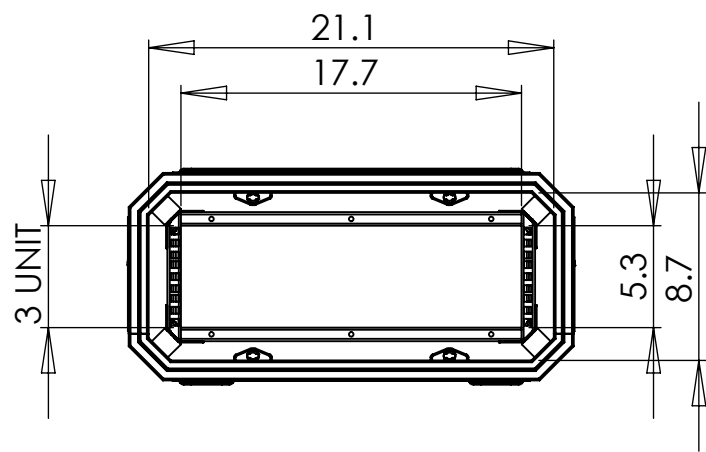


DETAIL B
SCALE 1 : 2



SECTION A-A

Nato Stock No (NSN)				Moulding Tolerance +/- (1%+1/16")			Title			Drg. No.	
N/A				External Dimensions (Inches)			E-Rack RR0324-0303			RR0324-0303	
Options Available	Option Selected	Qty	Part #	Height	Width	Depth	Drawn By	Date	Sheet No.	Issue No.	
				11.2	23.2	33.1	MW	22/09/2010	1 Of 1	02	
				Rack Size (U)		03	Dimensions In Inches		Third Angle Projection		
				Frame Depth (Inches)		24.0	Do Not Scale				

CP Cases Inc.

Tel: (410) 352-9450
Email: sales.usa@cpcases.com
Website: www.cpcases.com

Copyright CP Cases Inc.
This drawing is the property of CP Cases Inc & the information on it is confidential & it is not to be used for any other purpose without the prior written consent of CP Cases Inc.