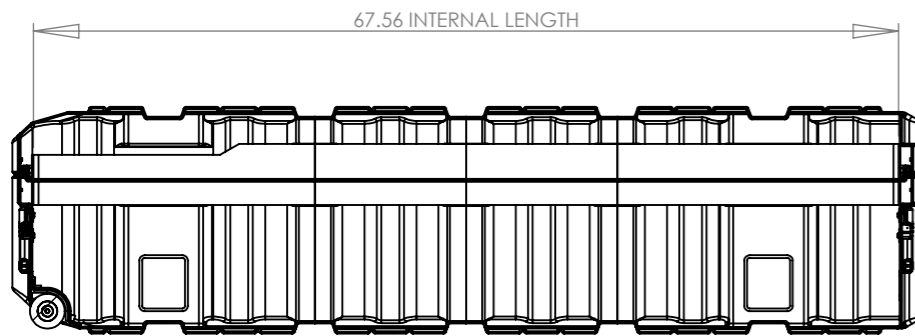
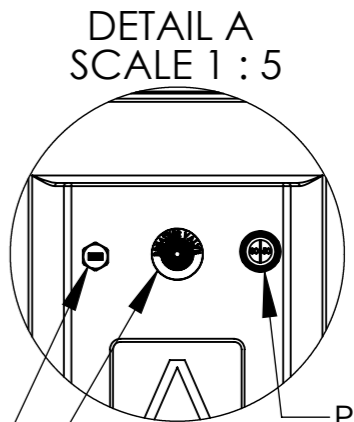
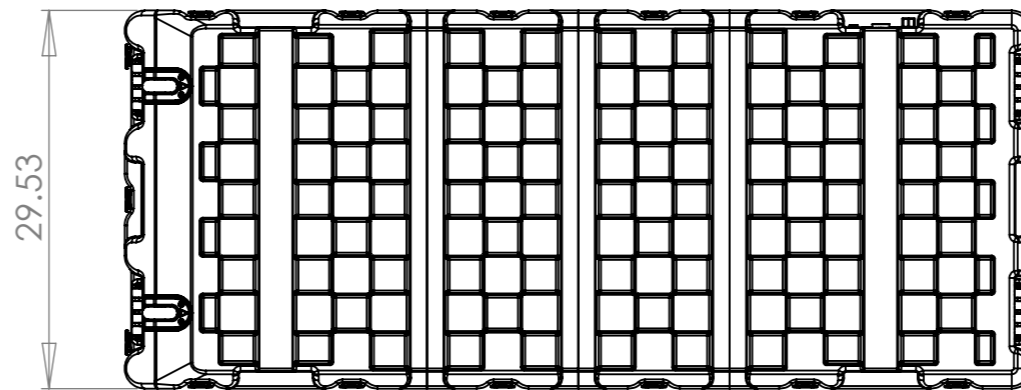


SECTION Z-Z
SCALE 1 : 15



SECTION Y-Y
SCALE 1 : 15



DETAIL A
SCALE 1 : 5

PRV Option
Gore Membrane Vent

PRV Option
Humidity Indicator

PRV Option
AGM Breather Valve

Options Available	Option Selected	Qty	Part #
Wheel Kit	Y	01	AAW001
AGM Breather Valve	Y	01	AAPRV
Gore Membrane Vent	Y	01	AAGTV
Humidity Indicator	Y	01	AAHI
Tie Down Anchor	N	00	AATD001
Padlockable Latch	N	00	AALPLBK
Latch	Y	18	AALBK
Plastic Handles	Y	04	AAHPL

Moulding Tolerance +/- (1%+1/16")		
External Dimensions (Inches)		
Length	Width	Height
70.9	29.5	17.7
Internal Dimensions (Inches)		
Length	Width	Height
67.6	26.2	15.9

Title			
Amazon Case AC7130-1305			
Drawn By	Date	Sheet No.	Issue No.
MW	04/05/2010	1 Of 1	1
Dimensions In Inches		Third Angle Projection	
Do Not Scale			

CP Cases Inc.

Tel: (410) 352-9450
Email: sales.usa@cpcases.com
Website: www.cpcases.com

Copyright CP Cases Inc.
This drawing is the property of CP Cases Inc & the information on it is confidential & it is not to be used for any other purpose without the prior written consent of CP Cases Inc.