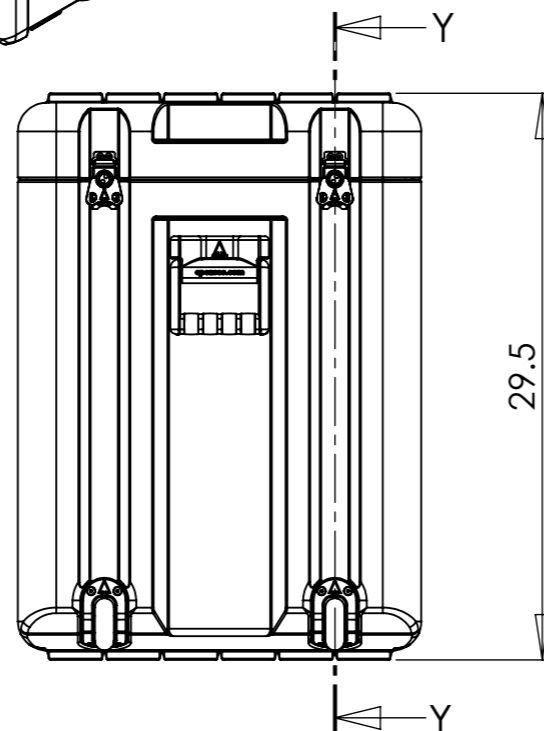
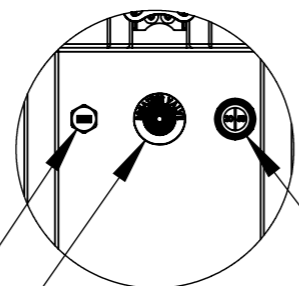


SECTION Y-Y



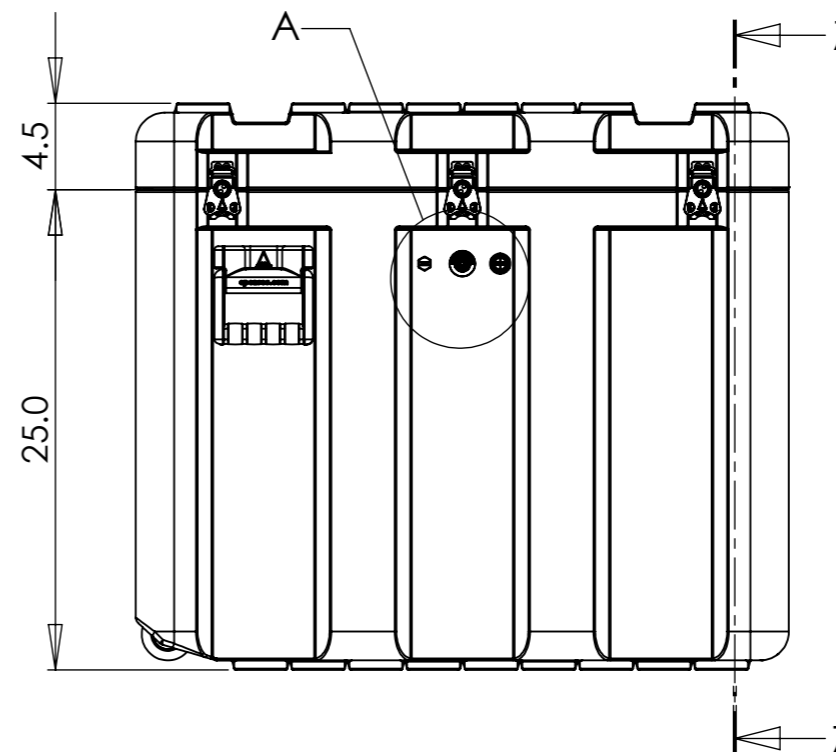
DETAIL A
SCALE 1 : 5



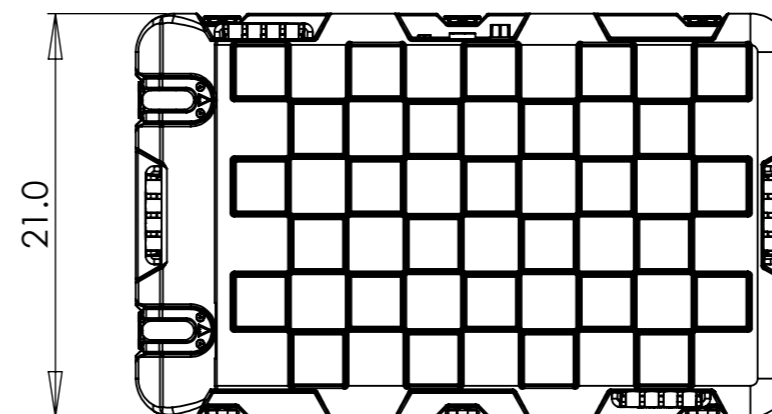
PRV Option
Gore Membrane Vent

PRV Option
AGM Breather Valve

PRV Option
Humidity Indicator



SECTION Z-Z



Options Available	Option Selected	Qty	Part #
Wheel Kit	Y	01	AAW001
AGM Breather Valve	Y	01	AAPRV
Gore Membrane Vent	Y	01	AAGTV
Humidity Indicator	Y	01	AAHI
Tie Down Anchor	N	00	AATD001
Padlockable Latch	N	00	AALPLBK
Latch	Y	07	AALBK
Plastic Handles	Y	04	AAHPL

Moulding Tolerance +/- (1%+1/16")

External Dimensions (Inches)

Length	Width	Height
34.0	21.0	29.5

Internal Dimensions (Inches)

Length	Width	Height
30.75	17.75	27.6

Title		Drg. No.	
Titan Case AC3421-2504W		AC3421-2504W	
Drawn By	Date	Sheet No.	Issue No.
MW	20/01/2011	1 Of 1	01
Dimensions In Inches		Third Angle Projection	
Do Not Scale			

CP Cases Inc.

25 Estate Drive, Toronto,
Ontario, Canada, M1H 2Z2.
Tel: (416) 438 8803 Fax: (416) 438 8849
Email: infocanada@cpcases.com Website: www.cpcases.com

Copyright CP Cases Inc.
This drawing is the property of CP Cases Inc & the information on it is confidential & it is not to be used for any other purpose without the prior written consent of CP Cases Inc.