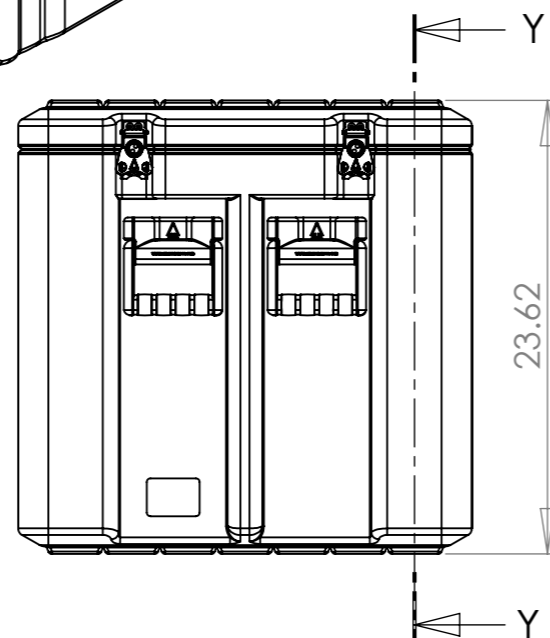
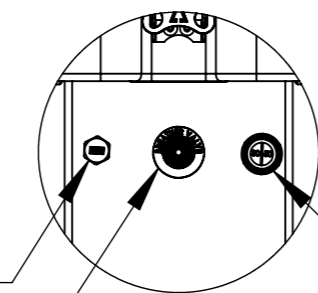


SECTION Y-Y



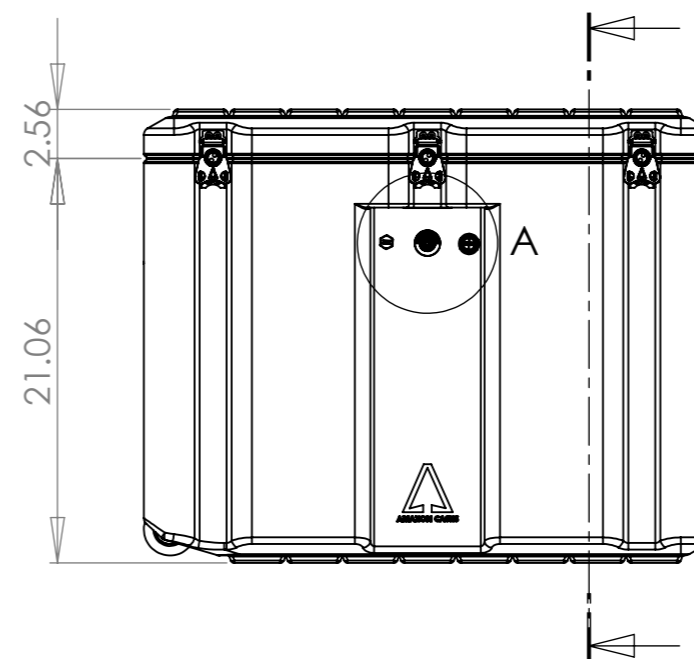
DETAIL A
SCALE 1 : 5



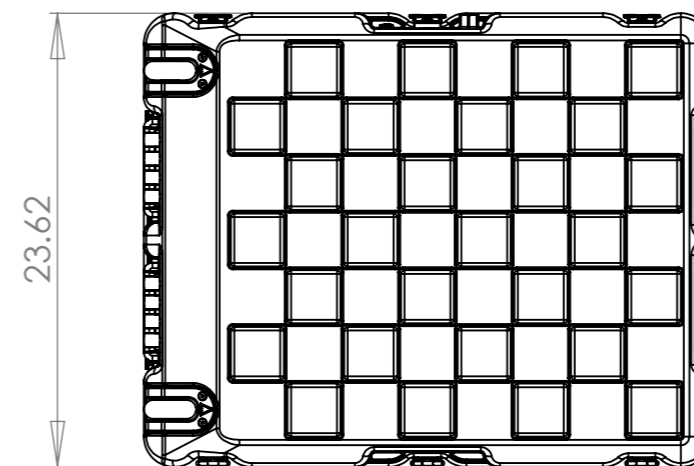
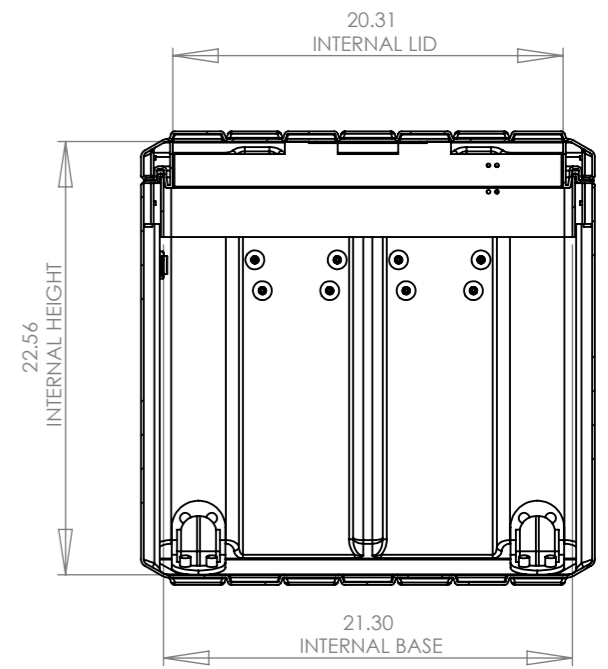
PRV Option
Gore Membrane Vent

PRV Option
AGM Breather Valve

PRV Option
Humidity Indicator



SECTION Z-Z



Options Available	Option Selected	Qty	Part #
Wheel Kit	Y	01	AAW001
AGM Breather Valve	Y	01	AAPRV
Gore Membrane Vent	Y	01	AAGTV
Humidity Indicator	Y	01	AAHI
Tie Down Anchor	N	00	AATD001
Padlockable Latch	N	00	AALPLBK
Latch	Y	07	AALBK
Plastic Handles	Y	04	AAHPL

Moulding Tolerance +/- (1%+1/16")

External Dimensions (Inches)

Length	Width	Height
29.5	23.6	23.6

Internal Dimensions (Inches)

Length	Width	Height
27.2	21.3	22.0

Title

Amazon Case AC3024-2103

Drawn By

MW

Date

19/05/2010

Sheet No.

1 Of 1

Drg. No.

AC3024-2103

Issue No.

1

Dimensions In Inches

Do Not Scale

Third Angle Projection



CP Cases Inc.

Tel: (410) 352-9450
Email: sales.usa@cpcases.com
Website: www.cpcases.com

Copyright CP Cases Inc.
This drawing is the property of CP Cases Inc & the information on it is confidential & it is not to be used for any other purpose without the prior written consent of CP Cases Inc.