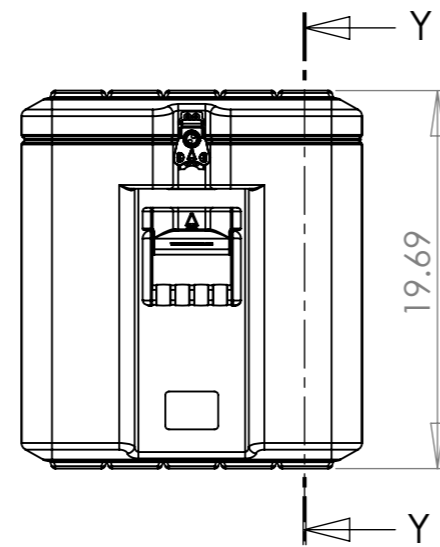
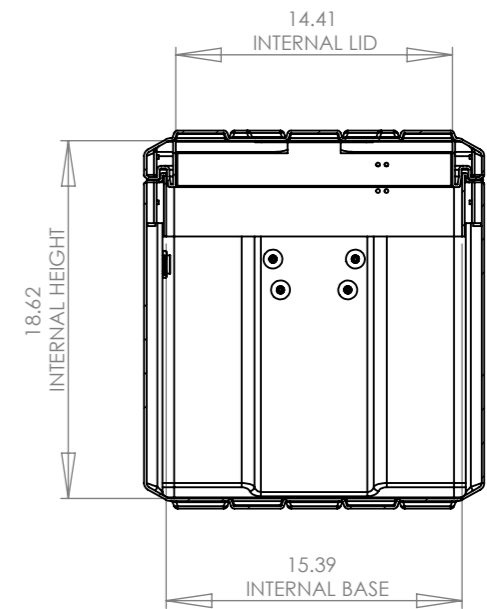
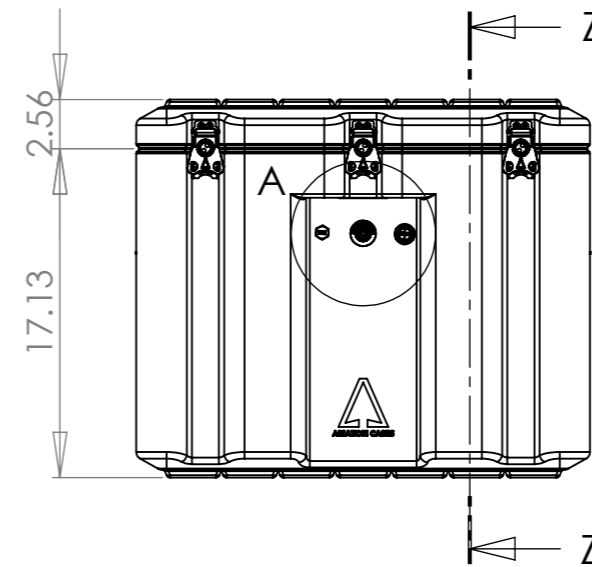


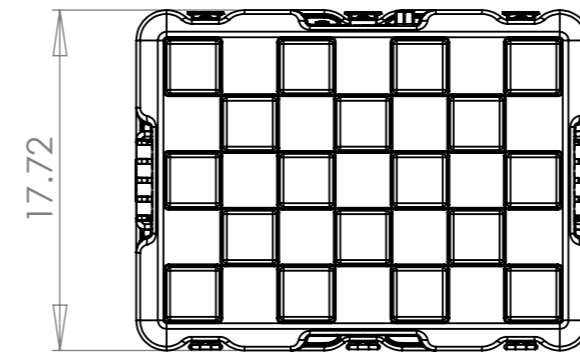
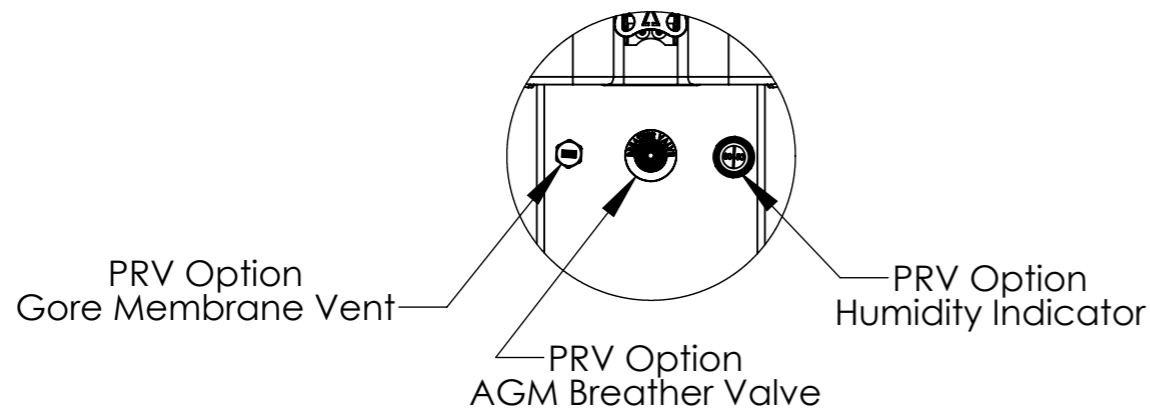
SECTION Y-Y



DETAIL A  
SCALE 1 : 5



SECTION Z-Z



Options Available	Option Selected	Qty	Part #
Wheel Kit	N	00	AAW001
AGM Breather Valve	Y	01	AAPRV
Gore Membrane Vent	Y	01	AAGTV
Humidity Indicator	Y	01	AAHI
Tie Down Anchor	N	00	AATD001
Padlockable Latch	N	00	AALPLBK
Latch	Y	05	AALBK
Plastic Handles	Y	02	AAHPL

Moulding Tolerance +/- (1%+1/16")		
External Dimensions (Inches)		
Length	Width	Height
23.6	17.7	19.7
Internal Dimensions (Inches)		
Length	Width	Height
21.3	15.4	18.1

Title			
Amazon Case AC6045-4307			
Drawn By	Date	Sheet No.	Issue No.
MW	30/04/2010	1 Of 1	1
Dimensions In Inches		Third Angle Projection	
Do Not Scale			

## CP Cases Inc.

25 Estate Drive, Toronto,  
Ontario, Canada, M1H 2Z2.  
Tel: (416) 438 8803 Fax: (416) 438 8849  
Email: infocanada@cpcases.com Website: www.cpcases.com

Copyright CP Cases Inc.  
This drawing is the property of CP Cases Inc & the information on it is confidential & it is not to be used for any other purpose without the prior written consent of CP Cases Inc.