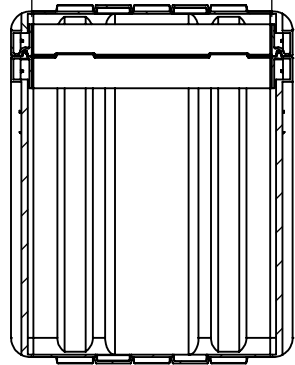
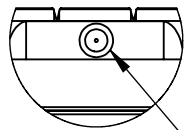
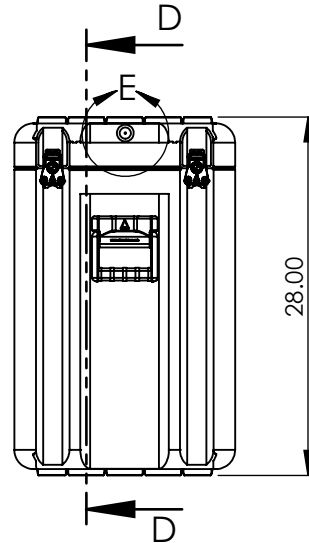


18.75  
Internal Length

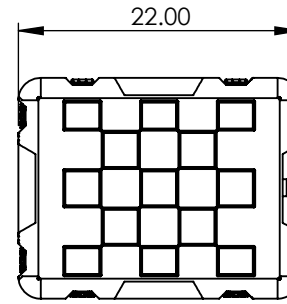


SECTION D-D  
SCALE 1 : 15

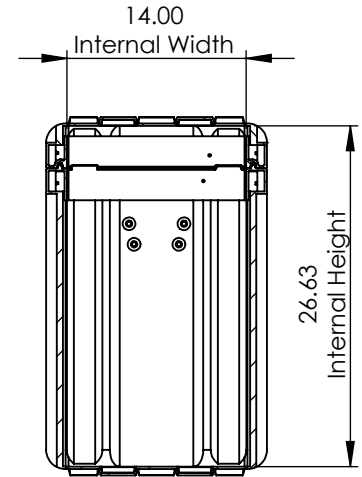
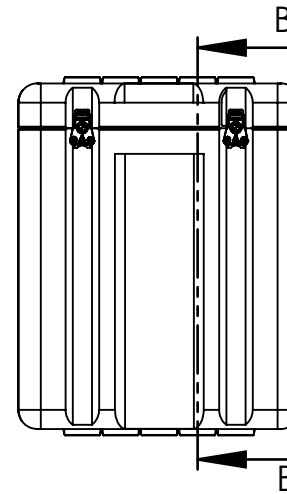


DETAIL E  
SCALE 2 : 15

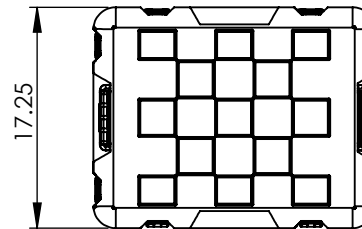
PRV Options:  
Gore Membrane Vents  
AGM Breather Valve  
Humidity Indicator



22.00



SECTION B-B  
SCALE 1 : 15



17.25

Options Available	Option Selected	Qty	Part #	Molding Tolerance +/- (1%+ 1/16")			Title		
Wheel Kit	No	0	AAW001	External Dimensions (inches)			AC2217-2404		
AGM Breather Valve	Yes	1	AAPRV	Length	Width	Height	Drawn By	Date	Sheet No.
Gore Membrane Vent	Yes	1	AAGTV	22.00"	17.25"	28.00"	RS	08/02/12	1 of 1
Humidity Indicator	Yes	1	AAHI	Internal Dimensions (inches)			Third Angle Projection		
Tie Down Anchor	No	0	AATD001	Length	Width	Height			
Padlockable latch	No	0	AALPLBK	18.75"	14.00"	26.63"			
Latch	Yes	6	AALBK	Dimensions are not to scale					
Plastic Handles	Yes	2	AAHPL						

**CP Cases Inc.**

Tel: (410) 352-9450

Email: sales.usa@cpcases.com

Website: www.cpcases.com

Copyright CP Cases Inc.

This drawing is the property of CP Cases Inc & the information on it is confidential & it is not to be used for any other purpose without the prior written consent of CP Cases Inc.